

A85JRT

ARTICULATED BOOM LIFT



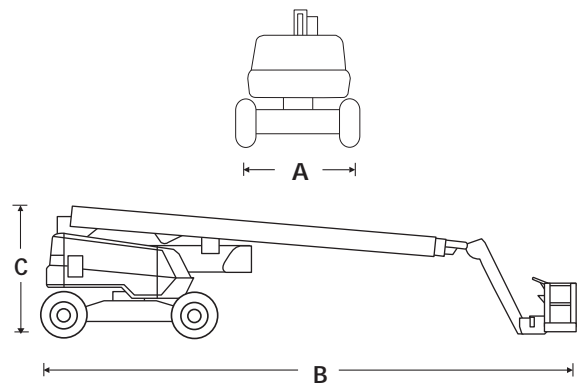
- The ultimate diesel articulated boom
- Excellent aerial manoeuvrability with "up & over" capabilities
- Powerful 4 wheel drive and 4 wheel steer
- Smooth, precise, easy to use controls
- Simple to maintain and service

 **snorkel**
www.snorkellifts.com

ARTICULATED BOOM LIFT

A85JRT

DIMENSIONS	A85JRT
Max. working height	27.7m
Max. platform height	25.7m
Max. working outreach	18.8m
Max. clearance height	8.50m
Platform size	0.91m x 2.44m
Overall width (A)	2.6m
Overall length (B)	12.5m
Stowed height (C)	2.9m
Ground clearance	330mm

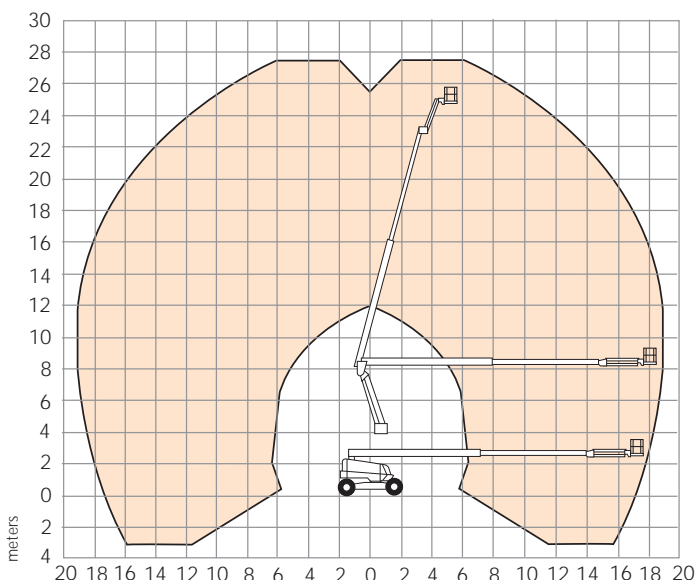


PERFORMANCE	
Platform capacity (SWL)	227kg
Max. drive height	25.7m
Max. drive speed (stowed)	4.8km/h
Max. drive speed (elevated)	1.0km/h
Jib length	1.8m
Jib working arc	135°
Jib rotation	140° side to side
Platform rotation	150°
Raise/Lower time	240/240 seconds
Turret rotation (continuous)	360°
Gradeability	30%
Inside turning radius	2.4m
Tyres	15 x 625 loader lug poly filled
Controls	proportional joystick
Drive system	4 wheel drive

POWER	
Power source	Deutz F4L-2011 (64hp) air cooled engine

WEIGHT	
Gross weight	17,500kg

WORKING ENVELOPE



STANDARD FEATURES

- 1.8m, 135° jib with 140° side to side rotation
- Hydraulic powered platform rotation
- 4 wheel drive
- 4 wheel steer, including crab steer
- Proportional control of drive, boom lift and slew
- Poly filled lug tyres
- Power line to platform (no sockets)
- Driveable at full height
- Horn
- CE approved

OPTIONS

- Hydraulic generator
- Platform control box cover
- Twin platform work lights
- Airline to platform with take-up reel
- Flashing amber beacon
- Drive motion alarm
- Cold weather start package
- Extreme cold weather package
- Extreme environment package
- Light package
- Aircraft package
- Deluxe aircraft package
- Tow package
- Glazier package
- 12k generator package
- 12k generator/welder package

snorkel

Vigo Centre, Birtley Road,
Washington, Tyne & Wear,
NE38 9DA, U.K.

t: +44 (0) 845 1550 057

e: sales@snorkellifts.com

www.snorkellifts.com